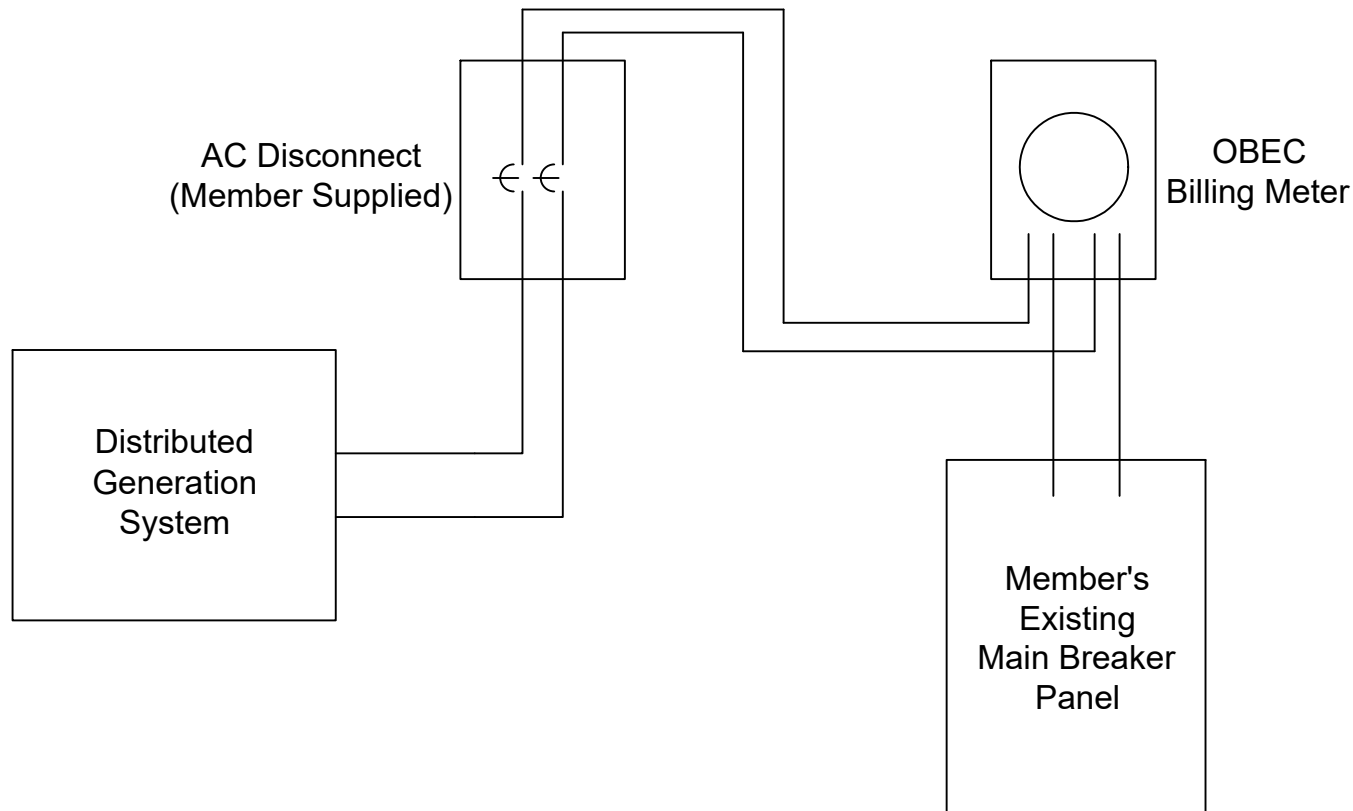


# Ozark Border Electric Cooperative Net Metering Installation Standard



## **Notes:**

- 1) Please contact OBEC if changes to the service is required.
- 2) The AC fused disconnect switch should be accessible, labeled according to the NEC and safely located within 10ft with line of sight to OBEC's billing meter.
- 3) All wiring from the fused disconnect to OBEC's Billing Meter should be traceable from outside the residence.
- 4) The wire must be terminated in the lugs at the bottom of OBEC's Billing Meter base. Line Tap connectors are NOT allowed. For terminating into the load lugs of the meter base contact OBEC at least a day in advance for a temporary disconnect.
- 5) The member is responsible for complying with the National Electric Code (NEC).