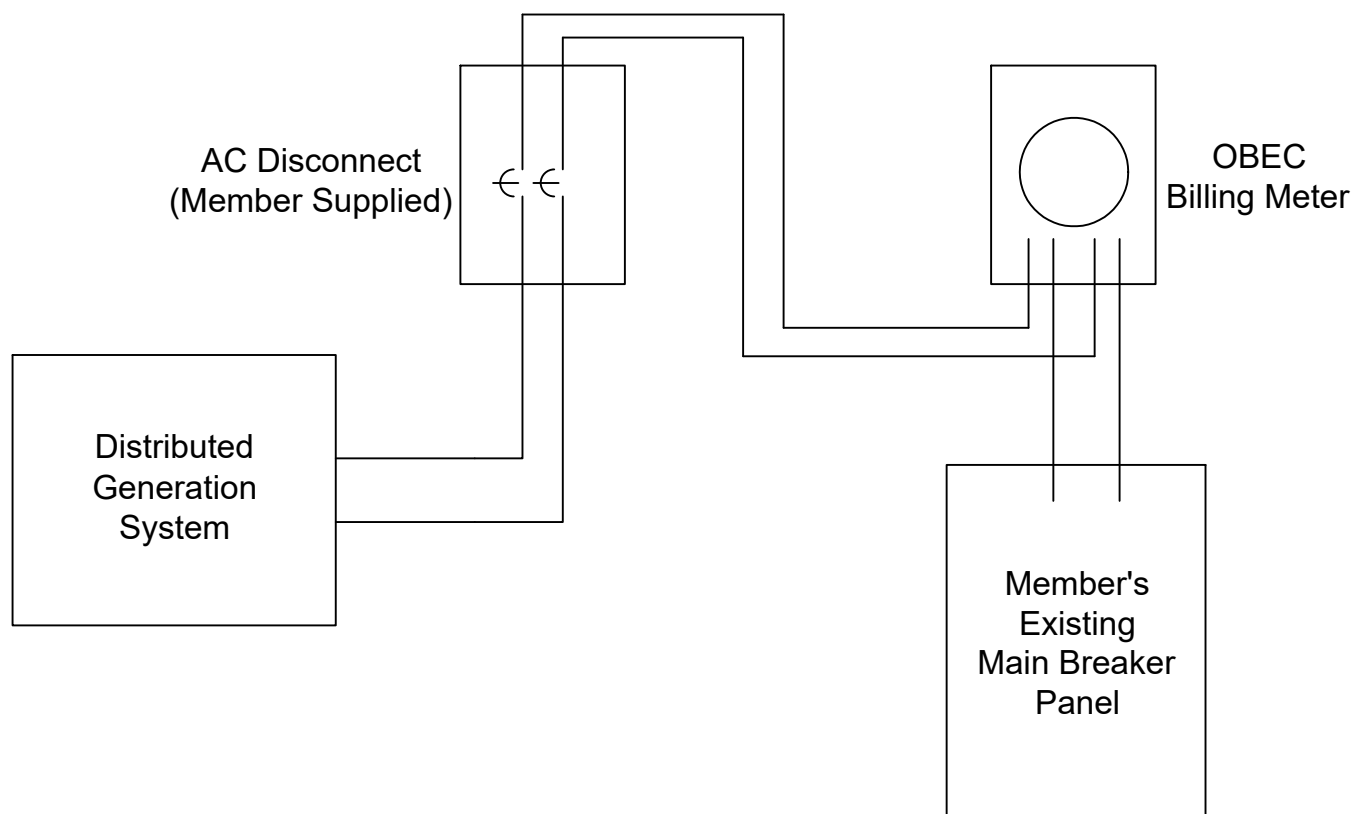


# Ozark Border Electric Cooperative Net Metering Installation Standard



## **Notes:**

- 1) All material should be supplied by the customer. If the meter base needs to be changed, OBEC will provide it.
- 2) The AC fused disconnect switch should be accessible, labeled according to the NEC and safely located within 10ft with line of sight to OBEC's billing meter.
- 3) All wiring from fused Disconnect to Billing Meter should be traceable from outside the residence.
- 4) The wire must be terminated in the lugs at the bottom of the Billing Meter base. Line Tap connectors are NOT allowed. For terminating into the load lugs of the meter base contact OBEC at least a day in advance for a temporary disconnect.
- 5) The customer is responsible for complying with the National Electric Code (NEC).